

Saramonic

Sound.Remarkable. 声

SmartMic MTV500 USB Desktop Microphone

USB 桌面式麦克风

User Manual

美竹怵謀

Statement

Please read this manual carefully before using and strictly operate and store in accordance with the instructions. Please save it for your future reference. If the user manual can not help you to solve problems, please ask your retailer for help or email us: **info@saramonic.com**.

Cautions

1. Do not use the unit under moisture condition or water, don't expose it to rain. Please store it in a cool, dry place.
2. Please use and store it in normal temperature. Do not move it from overheated to supercooled condition frequently as well as keep away from heat sources such as heater or oven.
3. When using and storing, please pay attention to dust and moisture.
4. Be careful to violent collision.
5. To avoid acoustical feedback, do not hold the microphone close to the loudspeakers.
6. For the best pick-up pattern, do not hold your hand against the microphone cover.

Introduction

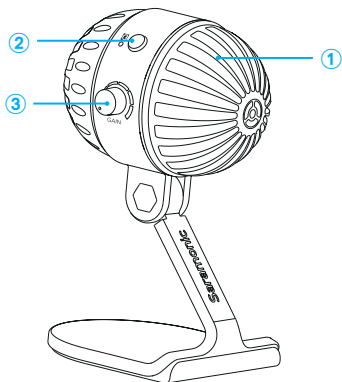
The Saramonic SmartMic MTV500 is an USB microphone that delivers a professional, broadcast-quality sound to your computer in a variety of applications, such as home-recording, studio, podcasting and much more.

Easy-to-operate, gain control, mute button features, you can create a clear and ample audio as you wish.

The SmartMic MTV500 also incorporates real-time monitoring features, like a built-in headphone jack with a volume control, allowing you to directly monitor zero-latency microphone signal.

No need to install any driver, the SmartMic MTV500 can be directly connected to the computer through the supplied cable.

Product Structure

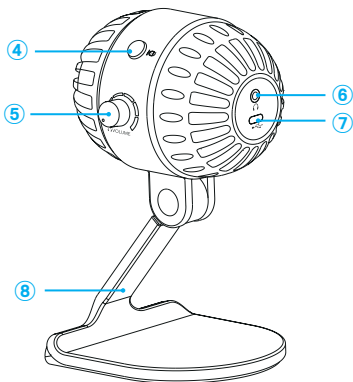


① Pop filter

② Polar pattern switch

Mode	Indicator Status
Omnidirectional	Lights off
Cardioid	Green Light

③ Gain control



④ Power/Mute button

Mode	Indicator Status
Power ON	Solid Green Light
Mute ON	Flashes Green Light

⑤ Volume control

⑥ 3.5mm headphone jack

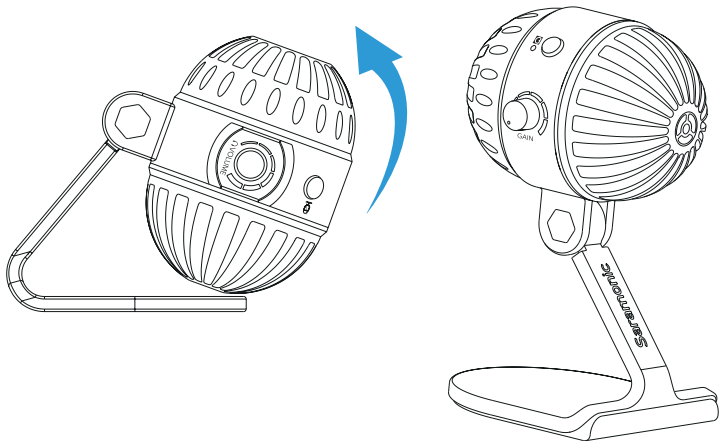
Connect a headphone to monitor the audio output.

⑦ Standard USB-C output (DC 5V)

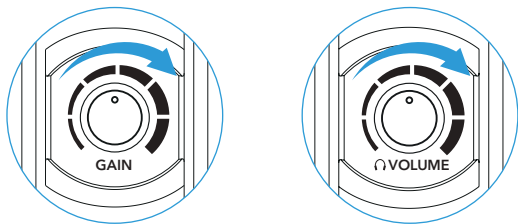
⑧ Desktop stand

Operational Instruction

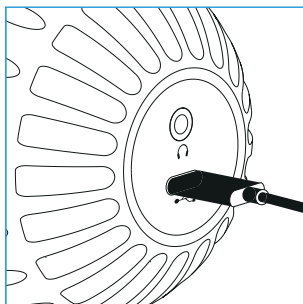
1. Unfold the microphone and lay it flat on the table, adjust it to an ideal angle, And always face the front side of the microphone's pop filter to you.



2. Adjust the "VOLUME" and "GAIN" control to 80% level position. If your pick-up subject is too quiet, you can slightly turn up the volume.



3. No need to install any driver, the SmartMic MTV500 can be directly connected to the computer. Connect to the computer through the supplied cable, and plug into the USB-C output at the back of the microphone. The POWER indicator lights green.



4. Select SmartMic MTV500 as the input/output device on your computer.

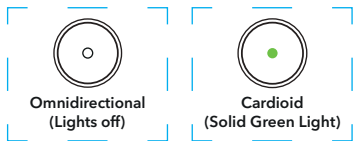
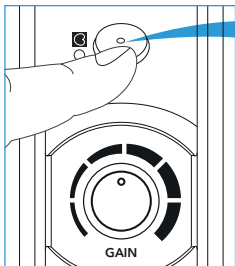
5. Polar Pattern Introduction

Omnidirectional

Pick up sound equally from all directions, capturing a natural blend of voice and ambiance with low sensitivity to wind and handling noise, as well as to vocal plosives.

Cardioid

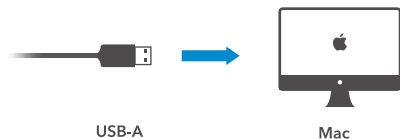
Maximizes the rejection of sound coming from the sides and rear of the mic and can be used as a directional microphone to capture full, rich, natural-sounding audio for podcast, speech, dialog, instrument etc.



6. Choose an appropriate pick-up pattern and keep a certain distance before you recording.

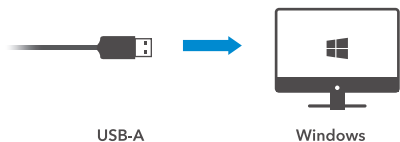
7. You are ready to record. (The headphone jack supports the real-time monitoring, so you can secure the intelligibility of audio.)

Setups Procedure



Mac OSX Setup Procedure

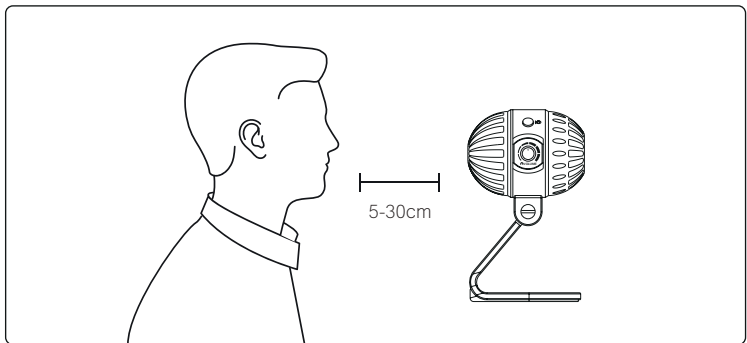
1. Connect the microphone to your computer via the supplied USB-C to USB-A output cables.
2. Open the Apple interface and select the "**System Preferences**".
3. Select the icon of "**Sound**".
4. Choose "**SmartMic MTV500**" as input device and click "**OK**".
5. Choose "**SmartMic MTV500**" as output device and click "**OK**".



Windows Setup Procedure

1. Connect the microphone to your computer via the supplied USB-C to USB-A cable.
2. Open the control panel and select the "**SmartMic MTV500**".
3. Select "Audio" tab and choose "**SmartMic MTV500**" as input device.

Tips



To get optimum sound performance, adjust the microphone's pick-up angle. For maximum clarity and intelligibility, position the microphone pointed directly at the subject's mouth.

Before adjusting the angle, slightly loosen the knobs. Avoid tightening or loosening knobs with great force as it might damage the screw threads.

Always mount the pop filter to avoid plosive when recording.

Specifications

Polar Pattern		Omnidirectional/Cardioid
Frequency Response		20-20kHz
Sensitivity		-36±3dB(0dB=1V/Pa,1kH 1.5V 2.2K)
Signal-to-noise ratio		80dB
Maximum SPL		130dB
Gain Control		0~39dB
Operating Voltage		5V 150mA
Headphone Amplifier	Impedance	>16ohms
	Output power	130mW
	THD	0.01%
	Frequency Response	15Hz-20,000Hz
	Signal-to-noise ratio	100dB
	Headphone gain	0~35 dB
Material		ABS housing
Output		USB-C
Dimensions		88×100×171mm (3.5*3.9*6.7")
Weight		300.5g (10.6 oz.)

Packing Lists

- SmartMic MTV500 Microphone
- 1.2m (3.9') USB-C to USB-A audio cable
- Warranty Card
- User Manual