

Saramonic

Sound.Remarkable. 

2.4GHz Dual Wireless
Lavalier Microphone System

2.4GHz双领夹式无线麦克风

SR-WM2100

User Manual
用户手册

Thank you for choosing Saramonic!

The Saramonic SR-WM2100 is a compact and portable 2.4GHz dual wireless lavalier microphone system. Designed for DSLR, Mirrorless and video cameras, as well as smartphones and tablets it is ideal for broadcast TV, electronic news gathering (ENG), interviews and content creation of all kinds. It features an operating range of up to 70m in open areas.

Statement

Please read this manual carefully before using and strictly operate and store in accordance with the instructions. Please save the manual for your future reference.

If the user manual can not help you to solve certain problems, please consult with your retailer for help or email us: info@Saramonic.com.

Available Kits

Model	In the box
SR-WM2100 U1	1×SR-WM2100 TX 1×SR-WM2100 RXU (USB-A adapter included)
SR-WM2100 U2	2×SR-WM2100 TX 1×SR-WM2100 RXU (USB-A adapter included)
SR-WM2100X	2×SR-WM2100 TX 1×SR-WM2100 RX 1×SR-WM2100 RXU (USB-A adapter included)

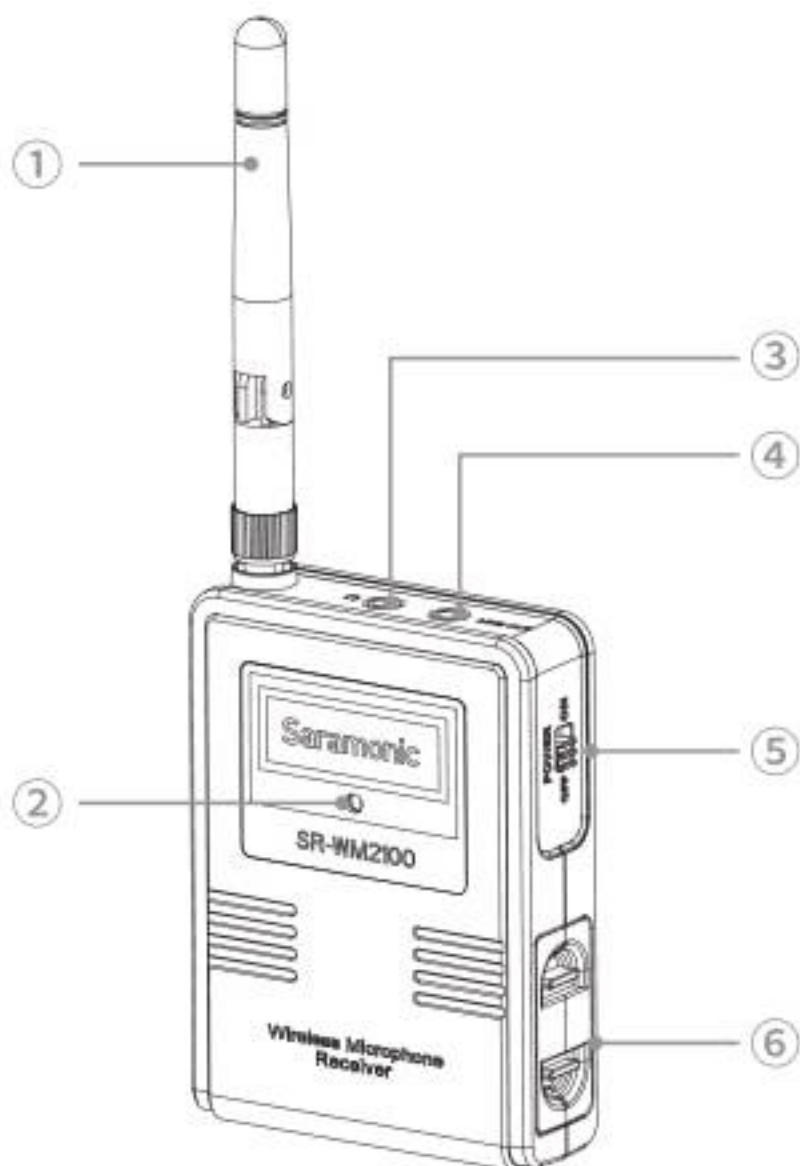
Portable Receiver (SR-WM2100 RX)

Introduction

The SR-WM2100 RX is a camera-mountable wireless receiver. It features level control, headphone monitoring, automatic pairing with transmitters, and two output cables, TRS for cameras and TRRS for mobile devices.

Equipped with an auto-scan function, the RX automatically selects an available transmission frequency with the best signal.

Product Structure



① Antenna

Screw clockwise to install.

Screw counter clock wise to dismantle.

Adjust the antenna accordingly to get the best sound reception.
Please do not touch the antenna during recording to avoid interfering with the signal.

② LED Indicator

Mode	Indicator Status
Unpaired	Flashing blue light
Paired successfully	Solid blue light
Low battery level	Flashing red light

③ Headphone jack

3.5mm stereo mini headphone output.
Connect headphones to monitor the wireless system's audio.

④ Line out jack

1-Connect the RX receiver to a camera, recorder or mixer with the supplied 3.5mm TRS output cable. 2-Connect the RX receiver to a smartphone, tablet or computer with the supplied 3.5mm TRS to TRRS (CTIA standard) output cable.

⑤ Power button (OFF/ON Switch)

Slide the power button to ON, turn on the RX receiver.
Slide the power button to OFF, turn off the RX receiver.

⑥ Battery compartment

Operates on two AA batteries (not included).

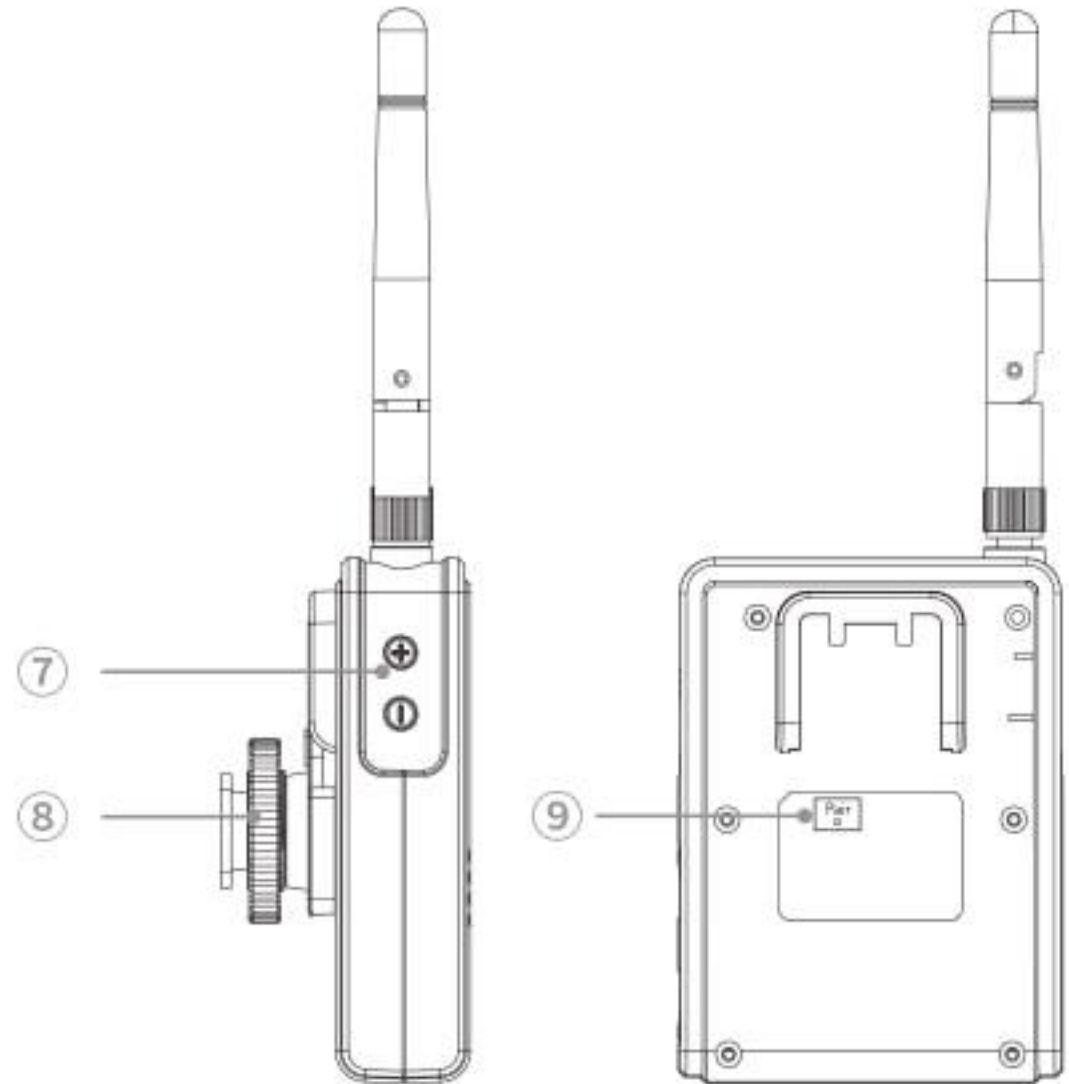
⑦ + or - button

Audio output level controls.

The setting is retained even after the power is turned off.

⑧ Standard cold shoe mount

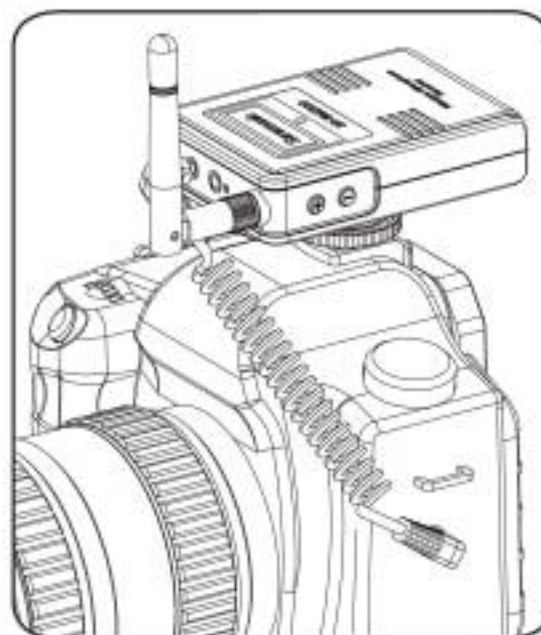
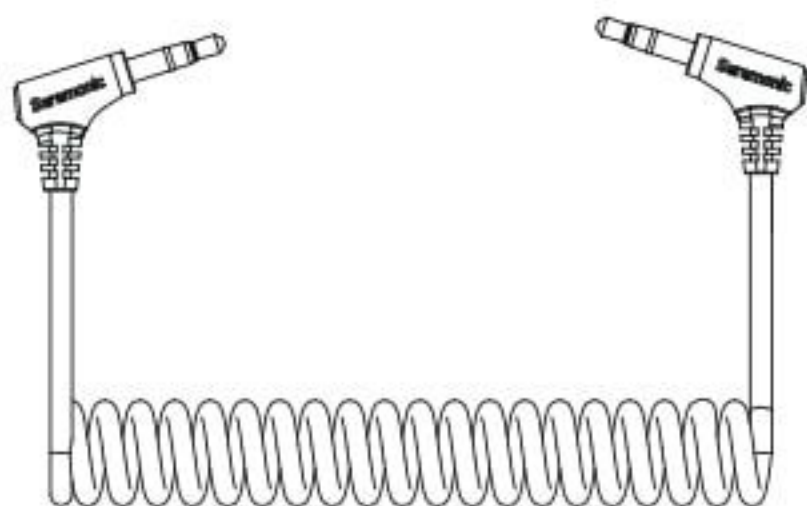
⑨ Pairing pinhole



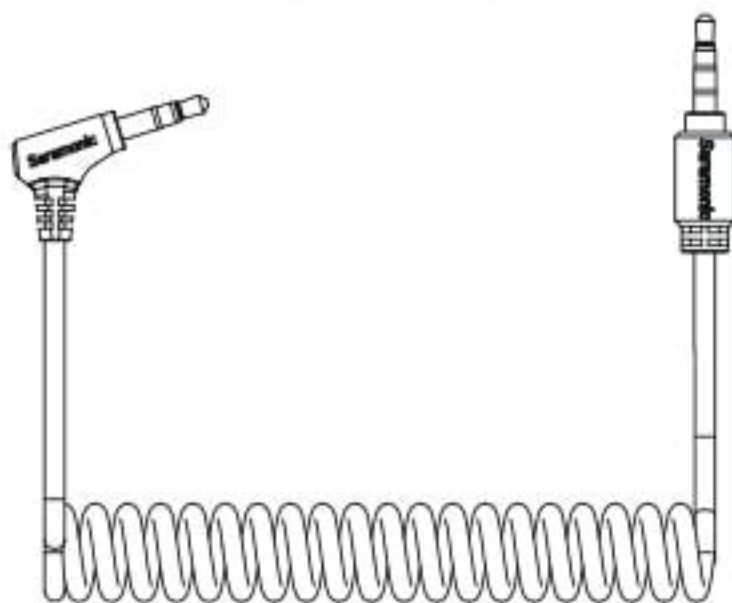
Accessories installation operation

①. Connect the supplied cable to the line output jack

When connecting to a camera, recorder or mixer, please use the 3.5mm TRS to TRS output cable. Plug one end into the line output jack of the receiver and plug the other end into the mic input jack of the camera, recorder, or mixer.

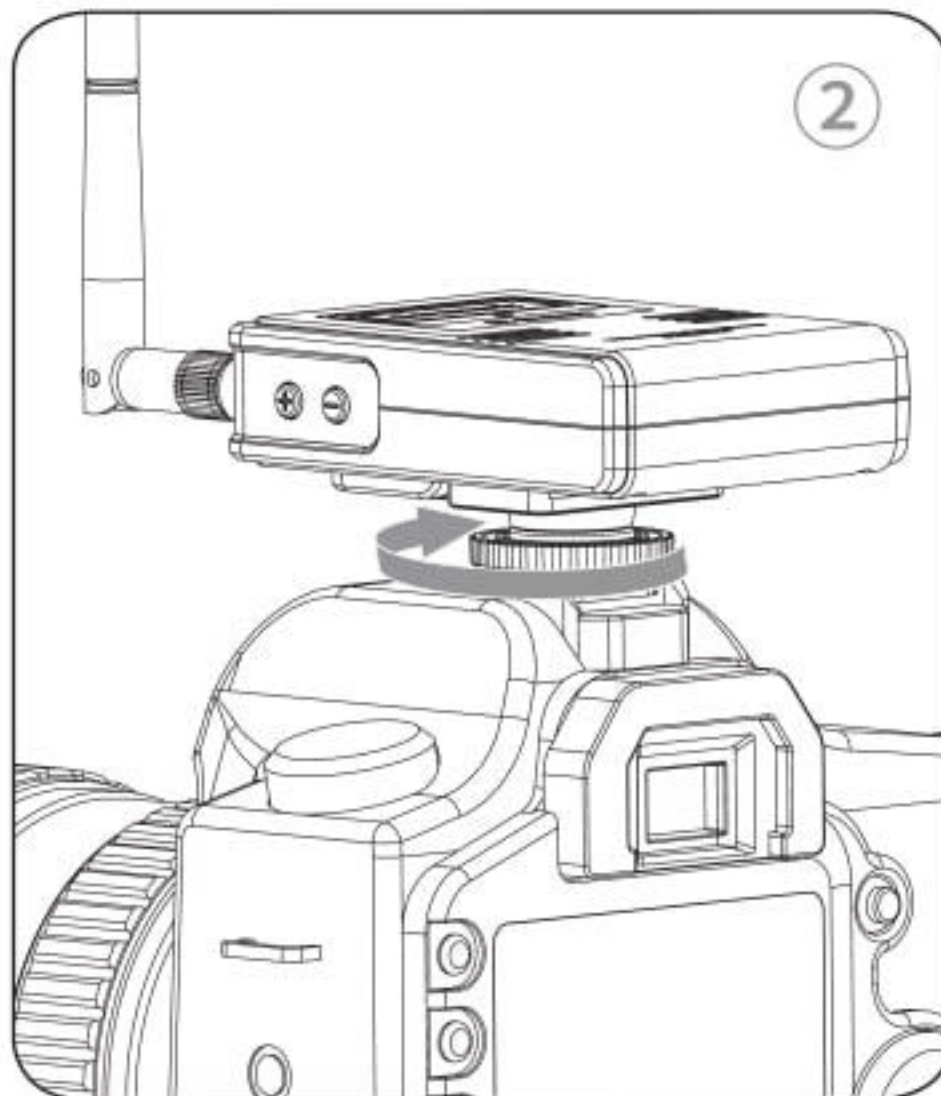
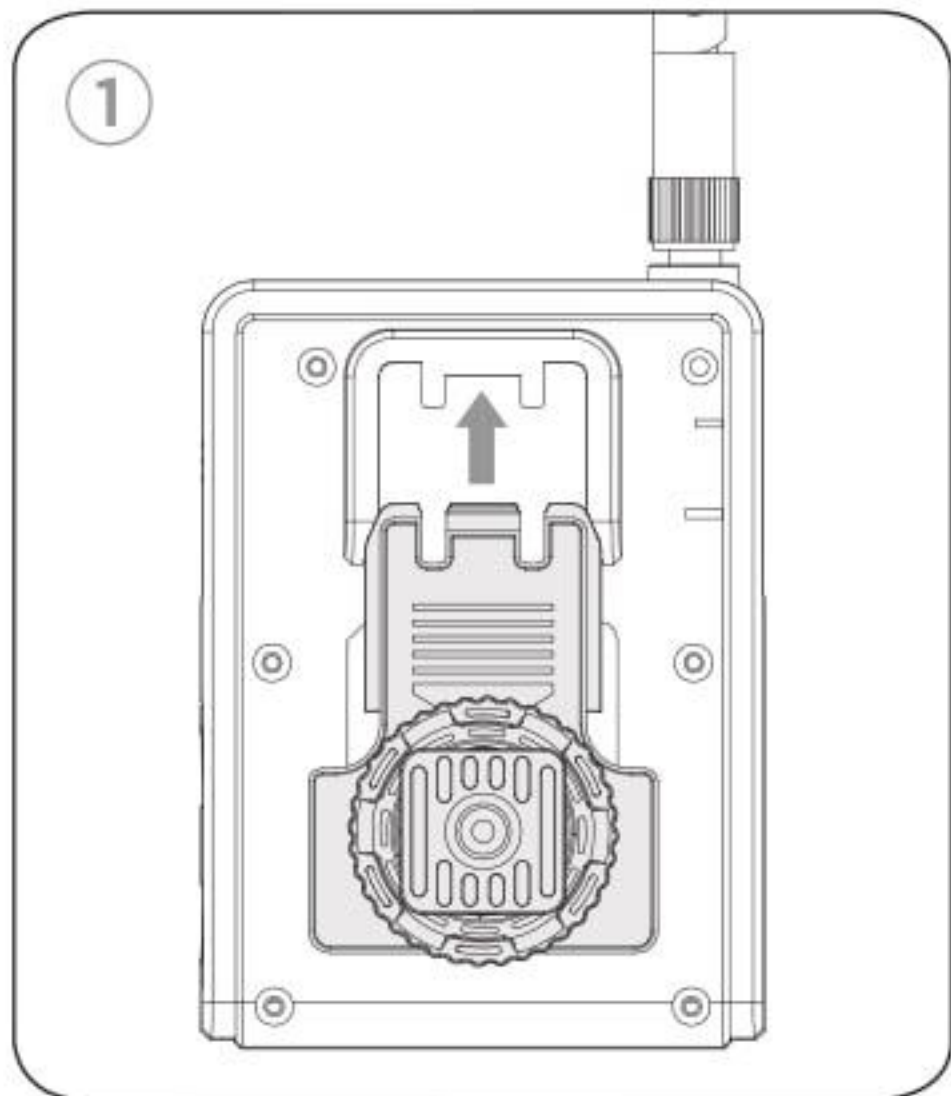


When connecting to a smartphone, tablet or computer, please use the 3.5mm TRS to TRRS (CTIA standard) output cable. Plug the 90 degree right angle TRS into the line output jack of the receiver and plug the straight TRRS end into the 3.5mm headphone jack of a smartphone, tablet, or computer.



②. Attach the shoe-mount adapter

Attach the shoe-mount adapter to the receiver, and secure it on your camera's shoe-mount or rig.

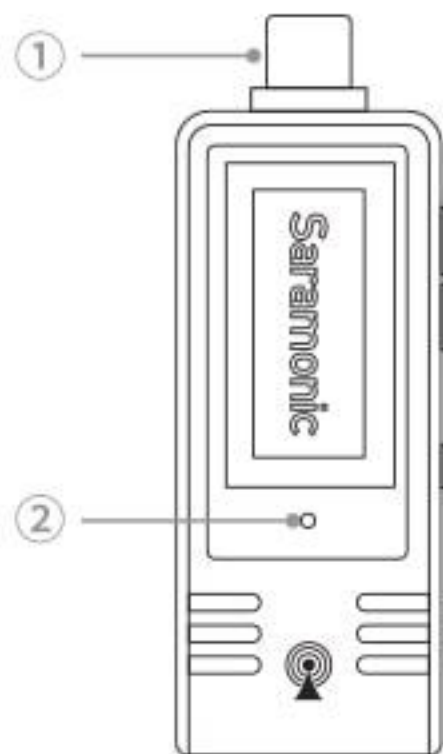


Portable Receiver (SR-WM2100 RXU)

Introduction

SR-WM2100 RXU is a wireless receiver with a USB-C output connector. It features a dedicated headphone output to monitor audio real-time sound. The M/S switch allows you to select either mono or stereo output to your device. Also included is a USB-C to USB-A adapter, making the SR- WM2100 RXU compatible with Android Smartphones or Tablets and most Computers.

Product Structure



① Type-C Connector

Suitable for USB-C devices (equipped with a USB-C to USB-A adapter, also compatible with USB-A devices).

② LED Indicator

Mode	Indicator Status
Unpaired	Flashing blue light
Paired successfully	Solid blue light

Note: Please make sure that the receiver is fully plugged into your device before checking the indicator status.

③ + or - button (Pair button)

Audio output level controls.

(The setting is retained even after the power is turned off.)

Press the Pair button (press the + button and - button at the same time) to enter pairing mode.

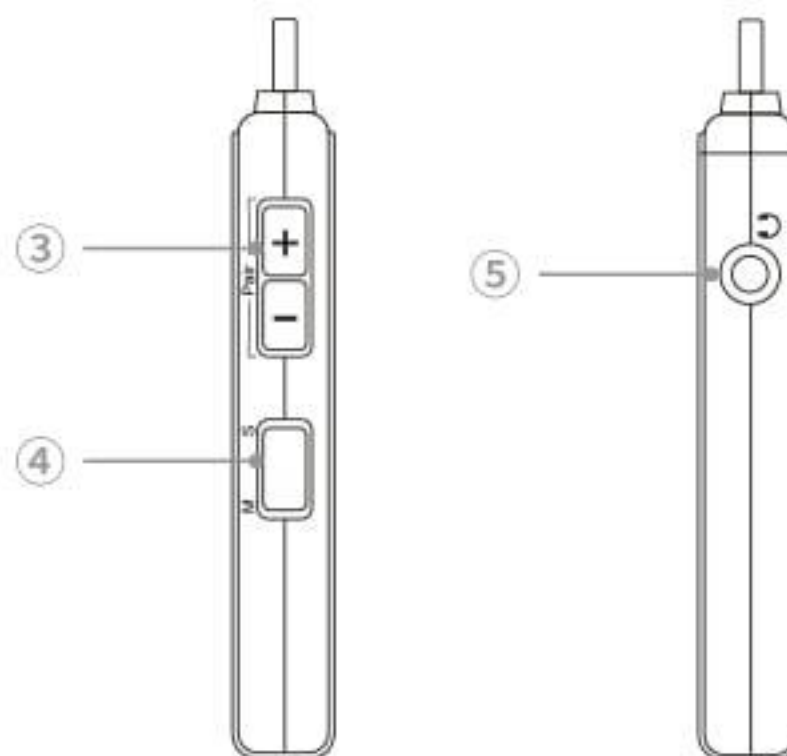
④ M/S Switch

The output mode can be set to either mono or stereo.

⑤ Headphone Output

3.5mm stereo headphone output.

Connect headphones to monitor the wireless system's audio output.

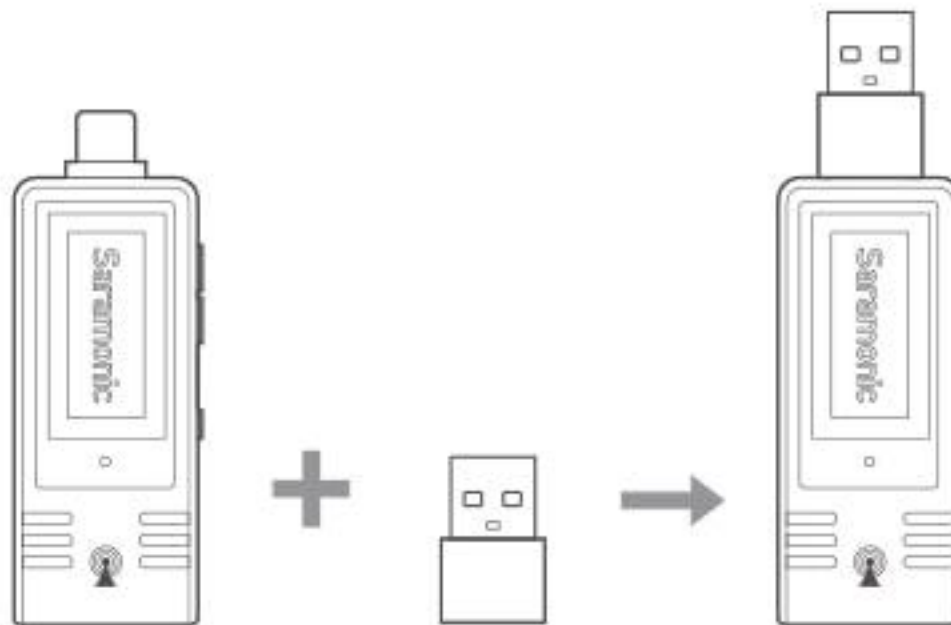


Accessories installation operation

① Connect to a USB-C device

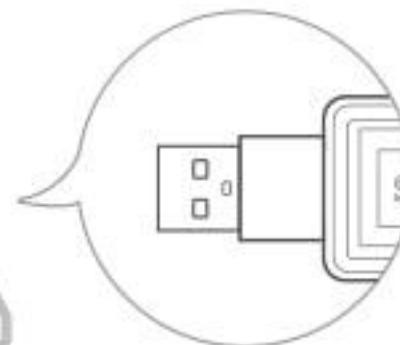


② Connect to a USB-A device



① Connect the USB-A adapter to the SR-WM2100 RXU Type-C connector as shown.

② Connect the SR-WM2100 RXU to a computer as shown.

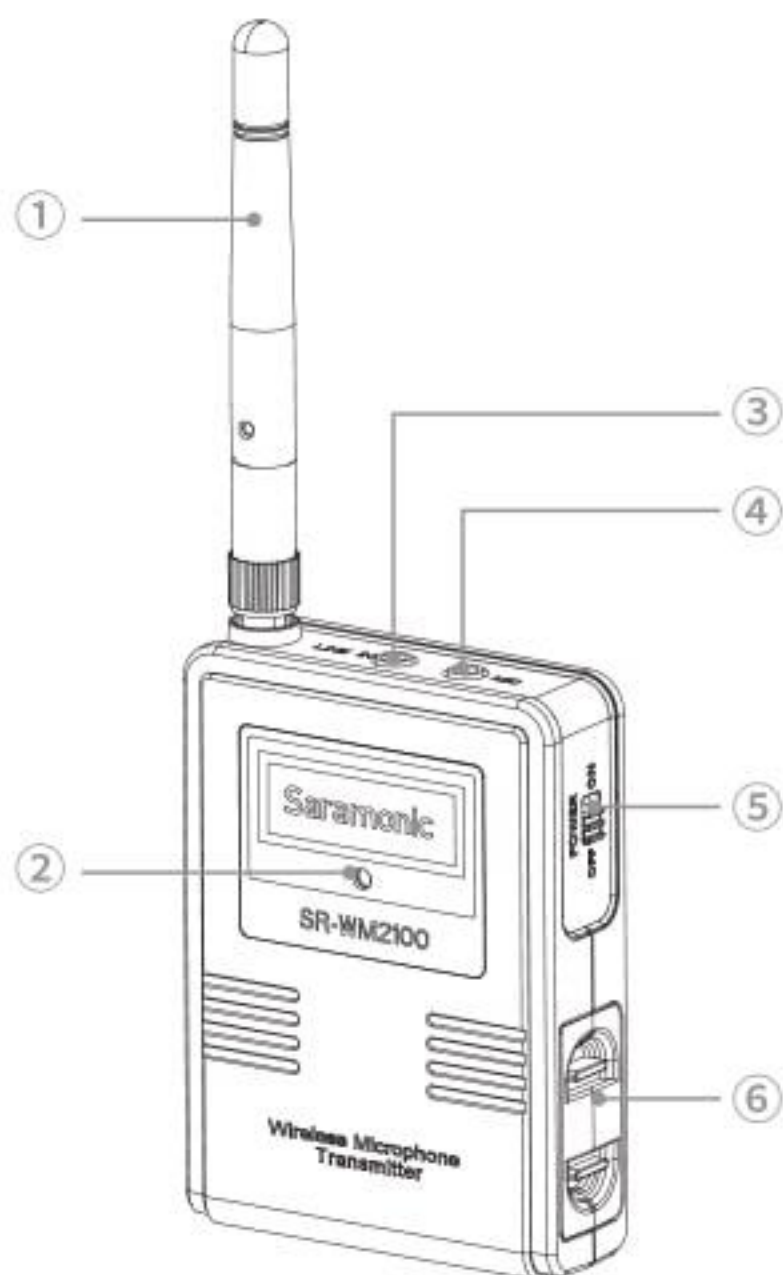


Bodypack launcher (SR-WM2100 TX)

Introduction

The SR-WM2100 TX is a compact wireless belt pack transmitter that features dedicated 3.5mm Microphone and Line-Level input connectors, an adjustable antenna for best possible wireless transmission and easy pairing with receiver.

Product Structure



① Antenna

Screw clockwise to install.

Screw counter clock wise to dismantle.

Adjust the antenna accordingly to get the best sound transmission.

Please do not touch the antenna during recording to avoid interfering with the signal.

② LED Indicator

Mode	Indicator Status
Unpaired	Flashing blue light
Paired successfully	Solid blue light
Low battery level	Flashing red light

③ Line-Level Input

Connect to line-level output of audio devices.

④ Microphone Input

Connect to the supplied 3.5mm lavalier microphone.

⑤ Power Button (OFF/ON switch)

Slide the power button to ON, turn on the RX receiver.

Slide the power button to OFF, turn off the RX receiver.

⑥ Battery compartment

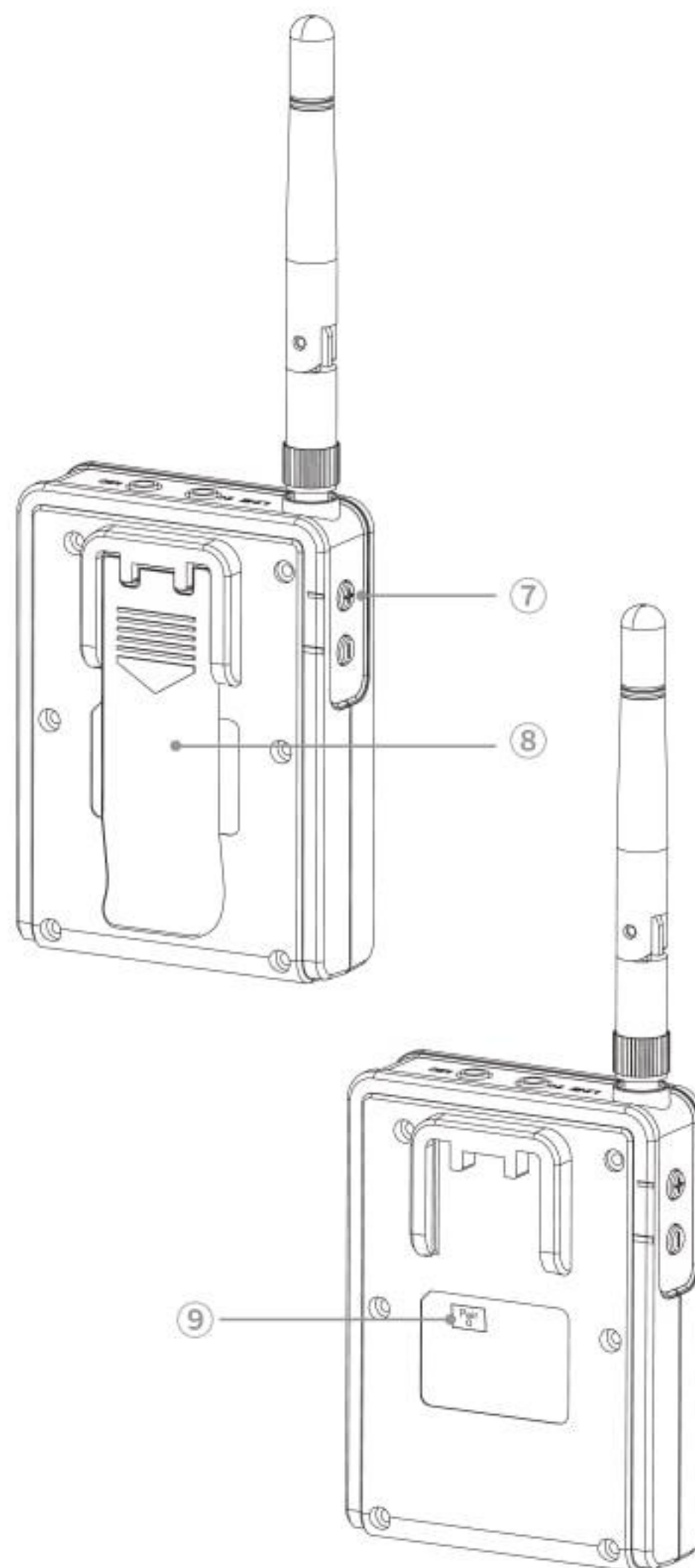
Operates on two AA batteries (not included).

⑦ + or - button

Microphone and Line-Level input level control. The setting is retained even after the power is turned off.

⑧ Belt clip

⑨ Pairing pinhole



Accessories installation operation

1. Connect microphone

Connect the supplied 3.5mm lavalier microphone into the microphone input or connect an audio device's line-level output into the 3.5mm line-level input of transmitter.

2. Clip the transmitter on your belt, or put it in your pocket.

Battery Installation

SR-WM2100 TX and SR-WM2100 RX both need two AA size batteries.

- Press the two catches inward and pull out the battery compartment.
- Insert two AA size batteries according to the polarity indicators and close the compartment.
- Please make sure the battery compartment is locked securely.



Cautions on battery use.

Please make sure to follow the several points when install batteries:

- Make sure the batteries are inserted correctly according to the polarity indicators.
- It is suggested to replace both batteries at the same time.
- Please do not use two batteries from different brands together as a combination.
- Remove the batteries from the battery compartment when the device is not used for an extended period of time.

Operation Guide

Operation Guide For SR-WM2100 & SR-WM2100X

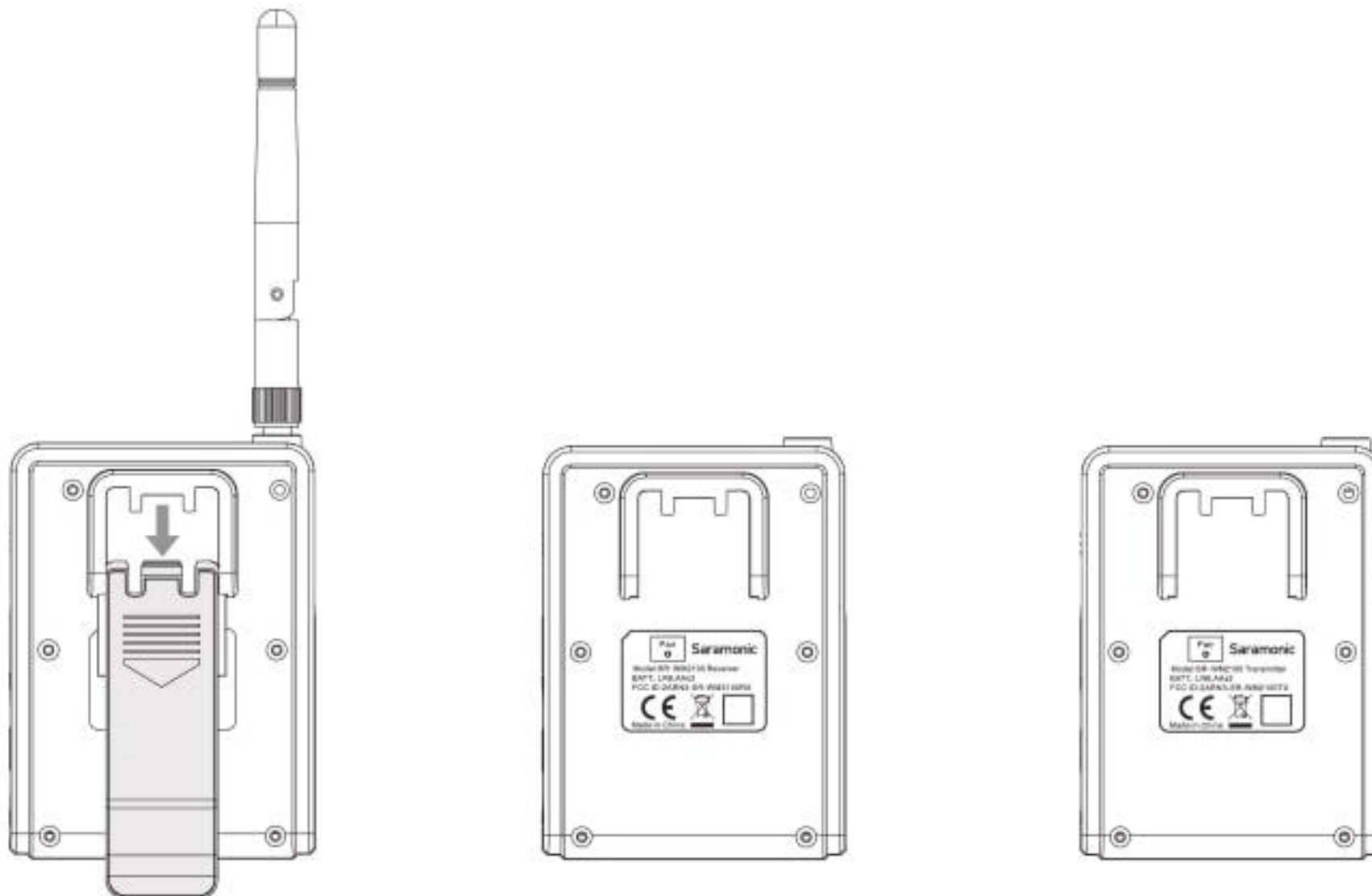
1. Slide the power button to ON, turn on both the transmitter and receiver.

2. Transmitter and Receiver pairing.

Before leaving factory, the system has been paired successfully.

If they are disconnected or unpaired, please see below for pairing instructions:

- Pull off the belt clip, as image below illustrates, and you will notice the pairing pinhole on both transmitter and receiver.
- Using the supplied pairing pin, insert into the small pinhole on both receiver and then transmitter(s) in quick succession. When pairing is successful, the indicators turn solid blue.



3. Connect the receiver to the mic input of a camera, mixer or recorder with the TRS to TRS cable, or the headphone port on a smartphone, tablet or computer with the TRS to TRRS cable.

4. Plug headphones into the receiver to monitor the recording audio if your camera or device lacks a headphone output.

5. You are ready to record.

Note: Due to 2.4GHz wireless frequency, signal can be easily attenuated. Please try to avoid obstacles, such as walls and buildings, and avoid close proximity to devices with 2.4GHz signal, such as high-power wifi antennas, smartphones with wifi in use, radios, etc.

Operation Guide For SR-WM2100 U1, SR-WM2100 U2 & SR-WM2100X

1. Slide the power button to ON, turn on the transmitter.

2. Plug the RXU into an USB-A / Type-C device.

3. Transmitter and Receiver pairing

Before leaving factory, the system has been paired successfully. If they are disconnected or unpaired, please see below for pairing instructions:

- Pull off the belt clip, as shown in the picture of Page 12, and you will notice the pairing pinhole on the transmitter.
- Using the supplied pairing pin, insert into the small pinhole on the transmitter. When the transmitter indicator flashes rapidly, press the RXU Pair button (press the + button and - button at the same time) to enter pairing mode. When pairing is successful, the indicators turn solid blue.

4. Plug headphones into the receiver to monitor the recording audio.

5. You are ready to record.

Specification

SR-WM2100 TX

Transmission Type	2.4GHz Digital Frequency
Modulation	GFSK
Operating Range	70m (without obstacle)
RF Output Power	10mW
Polar Pattern of Lavalier Microphone	Omnidirectional
Frequency Response	50Hz-18kHz
Maximum SPL	Lavalier Microphone: 110dB SPL
Sensitivity	Lavalier Microphone: -30dB
Signal-to-Noise Ratio	> 78dB
Power Requirements	Two AA Batteries
Antenna	Detachable Antenna
Audio Inputs	3.5mm TRS Microphone input, 3.5mm TRS Line-Level Input
Weight	68g (2.40 oz) (without battery)
Dimensions	62.5×85.7×26.4mm
Operating Temperature	0°C to 50°C
Storage Temperature	-20°C to +55°C

SR-WM2100 RX

Transmission Type	2.4GHz Digital Frequency
Modulation	GFSK
Operating Range	70m (without obstacle)
Audio Output Connector	3.5mm jack
Audio Output Level	-60 dBV
Power Requirements	Two AA Batteries
Antenna	Detachable Antenna
Weight	68.5g (2.42 oz) (without battery)
Dimensions	62.5×85.7×26.4mm
Operating Temperature	0°C to 50°C
Storage Temperature	-20°C to +55°C

SR-WM2100 RXU

Transmission Type	2.4GHz Digital Frequency
Modulation	GFSK
Operating Range	70m (without obstacle)
Audio Output Connector	Type-C Connector
Audio Output Level	-60 dBV
Power Requirements	Supplied by USB-C Devices
Other Functions	3.5mm Headphone Out, Mono/Stereo switch
Antenna	PIFA antenna
Weight	13.5g (0.48 oz)
Dimensions	71.5×26×10mm
Operating Temperature	0°C to 50°C
Storage Temperature	-20°C to +55°C

Packing List

SR-WM2100 U1

SR-WM2100 TX -----	x1	Antenna -----	x1
SR-WM2100 RXU -----	x1	Belt clip -----	x1
Type-C to USB-A adapter -----	x1	Foam windscreen -----	x1
Omnidirectional lavalier microphone -----	x1	Pairing pin -----	x1
Microphone clip -----	x1	Warranty Card -----	x1
		User Manual -----	x1

SR-WM2100 U2

SR-WM2100 TX -----	x2	Antenna -----	x2
SR-WM2100 RXU -----	x1	Belt clip -----	x2
Type-C to USB-A adapter -----	x1	Foam windscreen -----	x2
Omnidirectional lavalier microphone -----	x2	Pairing pin -----	x1
Microphone clip -----	x2	Warranty Card -----	x1
		User Manual -----	x1

SR-WM2100X

SR-WM2100 TX -----	x2	Foam windscreen -----	x2
SR-WM2100 RX -----	x1	3.5mm TRS audio output cable -----	x1
SR-WM2100 RXU -----	x1	3.5mm TRS to TRRS audio output cable -----	x1
Type-C to USB-A adapter -----	x1	Pairing pin -----	x1
Omnidirectional lavalier microphone -----	x2	Cold shoe mount -----	x1
Microphone clip -----	x2	Warranty Card -----	x1
Antenna -----	x2	User Manual -----	x1
Belt clip -----	x3		



For better recording experience, the application **SmartRecorder** is recommended.

为获得更好的录制体验，推荐使用枫笛 Saramonic 自主研发应用软件 **SmartRecorder**。



Scan the QR code and follow us!
扫描微信关注枫笛公众号!

Shenzhen Jiayz Photo Industrial., Ltd
深圳市长丰影像器材有限公司

A16 Building, Intelligent Terminal Industrial Park of Silicon Valley
Power, Guanlan, Longhua District, Shenzhen, China
深圳市龙华区观澜街道大富工业区硅谷动力智能终端产业园A16栋

☎ 400-613-1096 🌐 www.saramonic.com ✉ info@saramonic.com